

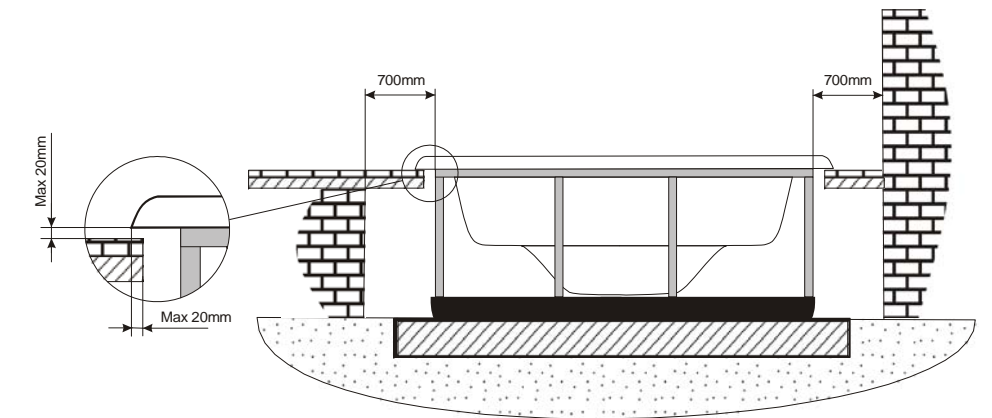
VALID FROM 09/06/2016

Inground option

WARNING:

It's essential to keep a minimum clearance access of **700mm** all around.

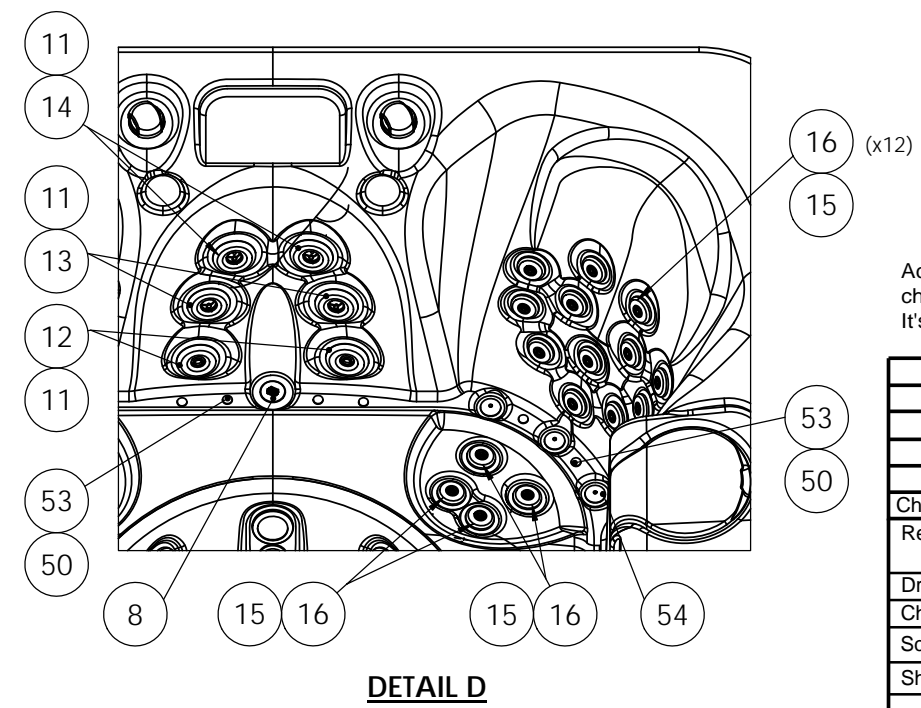
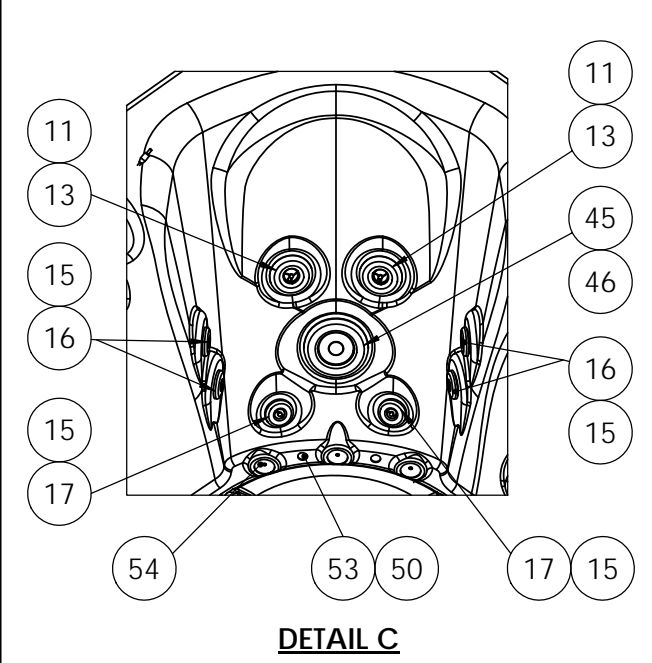
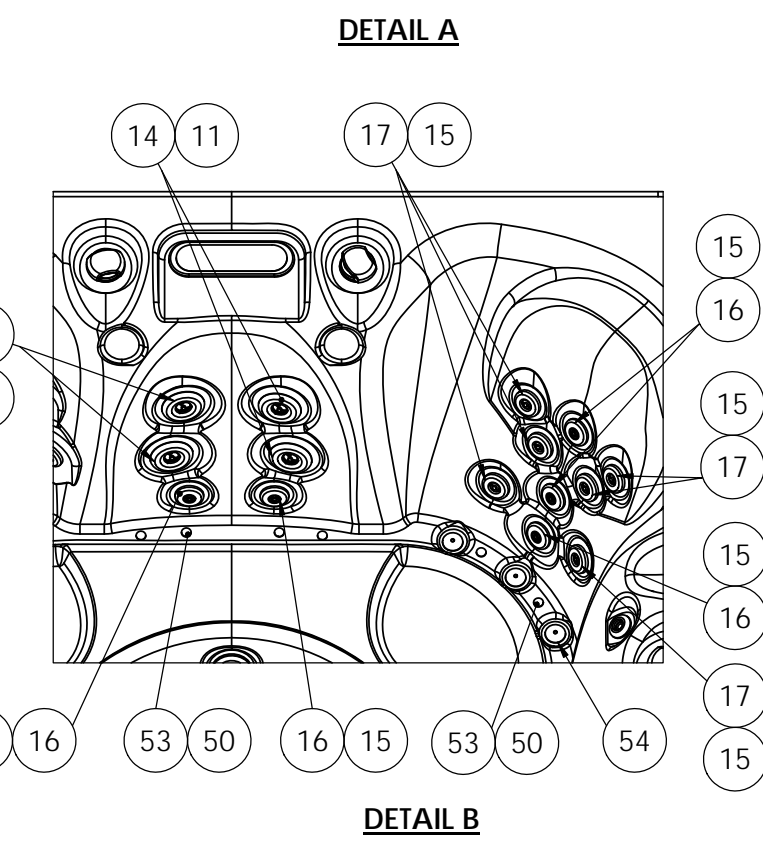
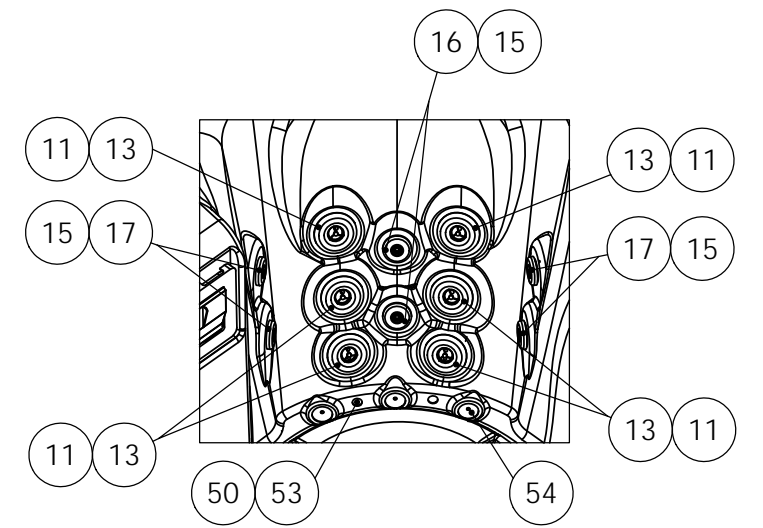
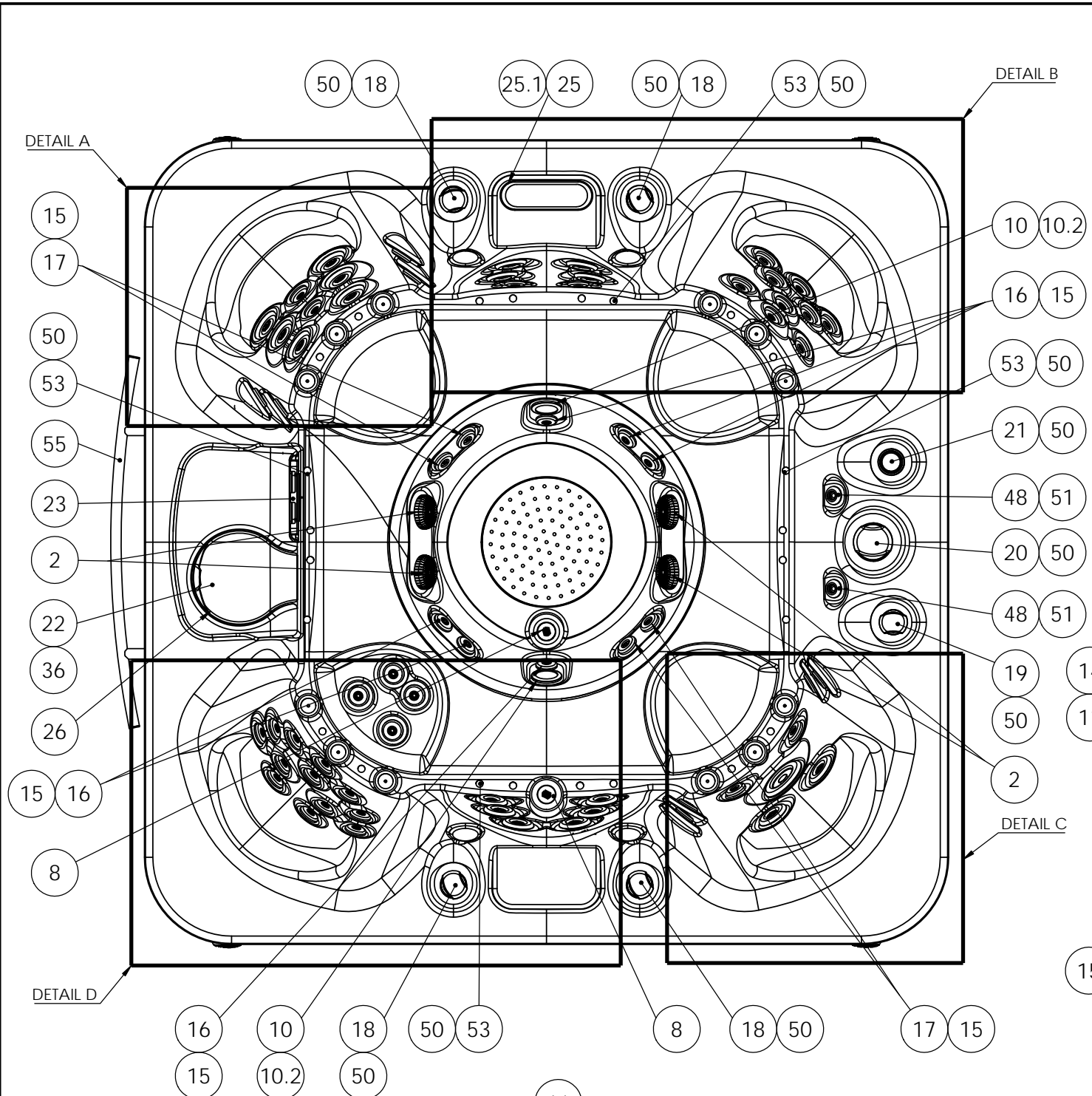
ELECTRICAL BOARD CONNECTIONS ACCESS



According to our policy of continuous improvement, dimensions, features or components of this product can be partially or completely changed without prior notice. It's Customer responsibility to verify that this is the last version of the drawing

01	09/06/2016	I.Pozo	New spare templates
00	12/01/2016	I.Pozo	Creation
Change No.	Date	Name	Modification
Remarks			COMMERCIAL
Dimensions in mm. General Tolerances +/- 10mm			
Drawn	12/01/2016	I.Pozo	Part Number 62132
Checked	12/01/2016	V.Saiz	
Scale 1:15	General Tolerance DIN 7168 ISO 2768g		Rev. 01
Sheet 1/3			
			First Angle Projection





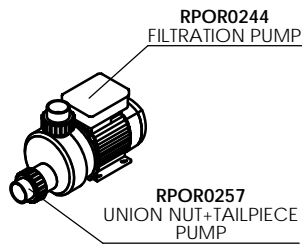
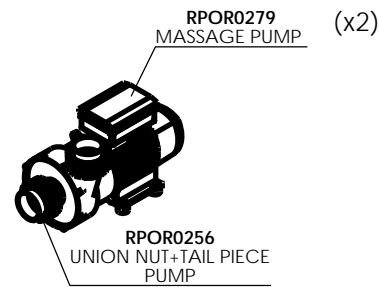
ACCESSORIES			
Position Num.	Part Nº SPARE	Description SPARE	Quant.
2	RPOR0275	SS SPA DRAIN 2" ADAPTOR SOCKET D.50	4
8	RPOR0003	GREY DRAIN SET - BODY+COVER+ASSEMBLY	2
10	RPOR0239	SPOTLIGHT LED SET RD	2
10.2	RPOR0252	LED SLAVE LIGHT	2
11	RPOR0236	JET BODY SET RD 3"	18
12	RPOR0231	FRONTAL JET 3" STAINLESS STEEL DIRECTIONAL	2
13	RPOR0232	FRONTAL JET 3" STAINLESS STEEL 1 JET ROTO	8
14	RPOR0233	FRONTAL JET 3" STAINLESS STEEL TWIN ROTO	8
15	RPOR0235	JET BODY SET RD 2"	49
16	RPOR0230	FRONTAL JET 2" STAINLESS STEEL DIRECTIONAL	33
17	RPOR0260	JET TWIN ROTO 2" INOX	16
18	RPOR0261	VENTURY CONTROLLER SS	4
19	RPOR0263	VALVE ON-OFF 1" SS	1
20	RPOR0262	3 WAYS SS VALVE 2"	1
21	RPOR0264	AROMA DISPENSER ASM LIT	1
22	RPOR0119	PRESSURE FILTER 2"	1
23	RPOR0178	SKIMMER FILTER GRIS for preassure filter	1
25	RPOR0196	DIGITAL PANEL VL700+COVER 2 PUMP + BLOWER	1
25.1	RPOR0202	COVER DIGITAL PANEL VL700 2 PUMP + BLOWER	1
26	RPOR0323	PRESSURE FILTER COVER TAS	1
36	RPOR0120	PRESSURE FILTER CARTRIDGE	1
45	RPOR0234	FRONTAL JET 5" STAINLESS STEEL DIRECTIONAL	1
46	RPOR0237	JET BODY SET RD 5"	1
48	RPOR0301	FOUNTAIN	2
49	RPOR0136	DRAIN FILL VALVE (BLACK)	1
50	RPOR0267	4 LEDS LIGHTS POINTS	13
51	RPOR0268	1 LED LIGHT POINT	2
53	RPOR0324	ANCHOR MINI LED HOUSING	24
54	RPOR0325	SMOTH SS AIR NOZZLE	12
55	RPOR0198	SPECIAL HANDGRIP SPA 1000	1
70	RPOR0280	LEDS TRANSFORMER 5V DC	1
71	RPOR0281	LEDS CONTROLER	1
73	RPOR0259	CABLE 4 OUTPUTS + LEDS	4
100	RPOR0314	AQUATIC GRILL BLACK SPEAKER 2"	4
101	RPOR0320	MINISPEAKER BLACK 2"	4
102	RPOR0326	INFINITY BLUETOOTH SYSTEM	1

VALID FROM 09/06/2016

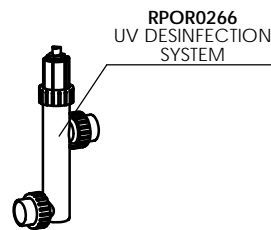
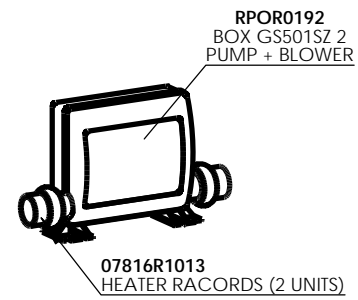
According to our policy of continuous improvement, dimensions, features or components of this product can be partially or completely changed without prior notice. It's Customer responsibility to verify that this is the last version of the drawing

01	09/06/2016	I.Pozo	New spare templates
00	12/01/2016	I.Pozo	Creation
Change No.	Date	Name	Modification
Remarks			
Dimensions in mm. General Tolerances +/- 10mm			
Drawn	12/01/2016	I.Pozo	
Checked	12/01/2016	V.Saiz	
Scale 1:15	General Tolerance DIN 7168 ISO 2768g		
Sheet 2/3			
		Part Number	Rev.
		62132	01
		First Angle Projection	

PUMPS SPARE CODES

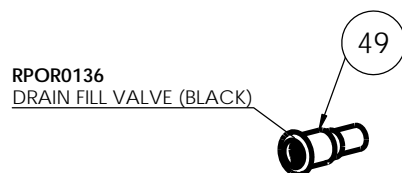
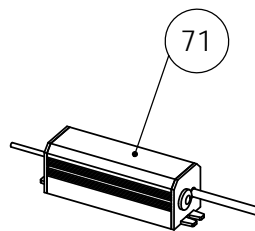
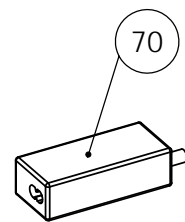


HEATER AND DESINFECTION SPARE CODES

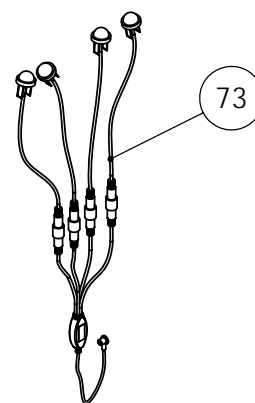


RPOR0101 - TEMPERATURE PROBES GS I GL (x 2)
RPOR0105 - HEATER 3 KW GS I GL
RPOR0197 - DIGITAL PANEL GS501SZ
RPOR0193 - EXPANDER BOARD KIT FOR SISTEM GS501SZ

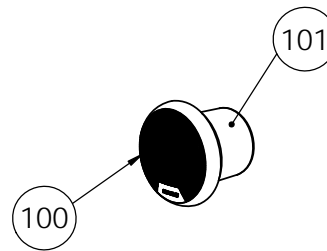
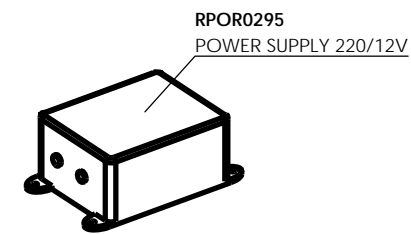
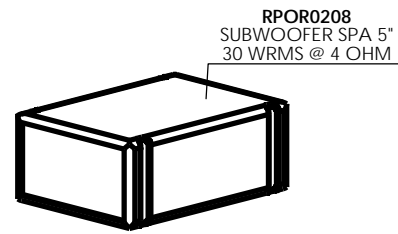
LIGHT COMPONENTS SPARE CODES



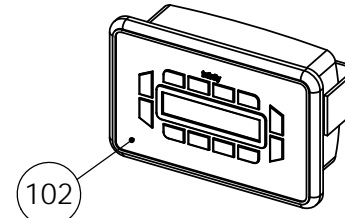
PURE LINE LIGHTING SPARE CODES



AUDIO SPARE CODES



101



ACCESSORIES			
Position Num.	Part Nº SPARE	Description SPARE	Quant.
2	RPOR0275	SS SPA DRAIN 2" ADAPTOR SOCKET D.50	4
8	RPOR0003	GREY DRAIN SET - BODY+COVER+ASSEMBLY	2
10	RPOR0239	SPOTLIGHT LED SET RD	2
10.2	RPOR0252	LED SLAVE LIGHT	2
11	RPOR0236	JET BODY SET RD 3"	18
12	RPOR0231	FRONTAL JET 3" STAINLESS STEEL DIRECTIONAL	2
13	RPOR0232	FRONTAL JET 3" STAINLESS STEEL 1 JET ROTO	8
14	RPOR0233	FRONTAL JET 3" STAINLESS STEEL TWIN ROTO	8
15	RPOR0235	JET BODY SET RD 2"	49
16	RPOR0230	FRONTAL JET 2" STAINLESS STEEL DIRECTIONAL	33
17	RPOR0260	JET TWIN ROTO 2" INOX	16
18	RPOR0261	VENTURY CONTROLLER SS	4
19	RPOR0263	VALVE ON-OFF 1" SS	1
20	RPOR0262	3 WAYS SS VALVE 2"	1
21	RPOR0264	AROMA DISPENSER ASM LIT	1
22	RPOR0119	PRESSURE FILTER 2"	1
23	RPOR0178	SKIMMER FILTER GRIS for preassure filter	1
25	RPOR0196	DIGITAL PANEL VL700+COVER 2 PUMP + BLOWER	1
25.1	RPOR0202	COVER DIGITAL PANEL VL700 2 PUMP + BLOWER	1
26	RPOR0323	PRESSURE FILTER COVER TAS	1
36	RPOR0120	PRESSURE FILTER CARTRIDGE	1
45	RPOR0234	FRONTAL JET 5" STAINLESS STEEL DIRECTIONAL	1
46	RPOR0237	JET BODY SET RD 5"	1
48	RPOR0301	FOUNTAIN	2
49	RPOR0136	DRAIN FILL VALVE (BLACK)	1
50	RPOR0267	4 LEDS LIGHTS POINTS	13
51	RPOR0268	1 LED LIGHT POINT	2
53	RPOR0324	ANCHOR MINI LED HOUSING	24
54	RPOR0325	SMOTH SS AIR NOZZLE	12
55	RPOR0198	SPECIAL HANDGRIP SPA 1000	1
70	RPOR0280	LEDS TRANSFORMER 5V DC	1
71	RPOR0281	LEDS CONTROLER	1
73	RPOR0259	CABLE 4 OUTPUTS + LEDS	4
100	RPOR0314	AQUATIC GRILL BLACK SPEAKER 2"	4
101	RPOR0320	MINISPEAKER BLACK 2"	4
102	RPOR0326	INFINITY BLUETOOTH SYSTEM	1

VALID FROM 09/06/2016

According to our policy of continuous improvement, dimensions, features or components of this product can be partially or completely changed without prior notice. It's Customer responsibility to verify that this is the last version of the drawing

01	09/06/2016	I.Pozo	New spare templates
00	12/01/2016	I.Pozo	Creation
Change No.	Date	Name	Modification
Remarks			
Dimensions in mm. General Tolerances +/- 10mm			
Drawn	12/01/2016	I.Pozo	
Checked	12/01/2016	V.Saiz	
Scale 1:5	General Tolerance DIN 7168 ISO 2768g		
Sheet 3/3			
			SPARE PARTS DRAWING
		Part Number	Rev.
		62132	01
		First Angle Projection	
Property of IBERSPA S.L. Avda. Pla d'Urgell 2-8 25200 Cervera, Spain. Don't use without permission. Keep this information confidential and use it solely for the permitted purpose.			